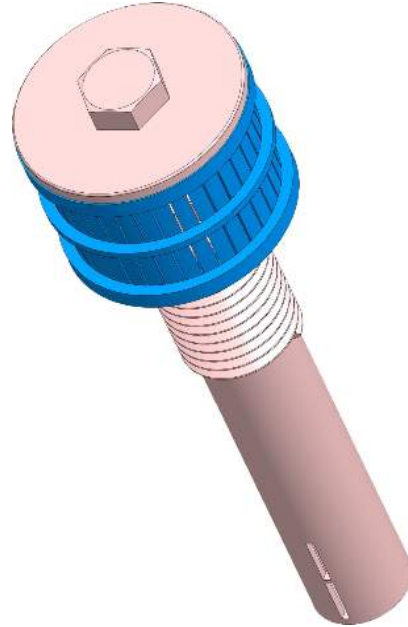
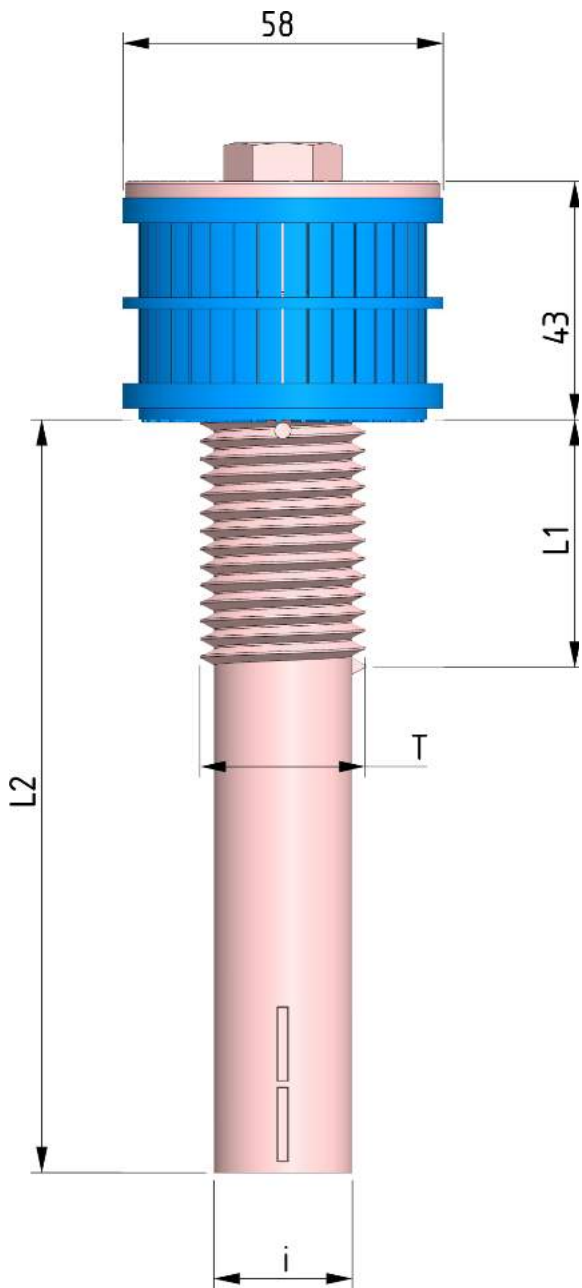


TABLE OF CONTENT

03	About us
04	Why Chooses Us ?
05	CYLINDRIC TYPE - S
06	CYLINDRIC TYPE - F
07	CYLINDRIC TYPE - H
08	CONIC TYPE - M
09	TYPE - HG
10	TYPE - BW
11	TYPE - AFN/S
12	TYPE - AFN/H
13	TYPE - AFN/M
14	FILTER NOZZLE SLEEVE -BK
15	COARSE BUBBLE DISC DIFFUSER
16	ANCHORS
17	U-BOLT
18	PLATE
19	CONNECTION ACCESSORIES

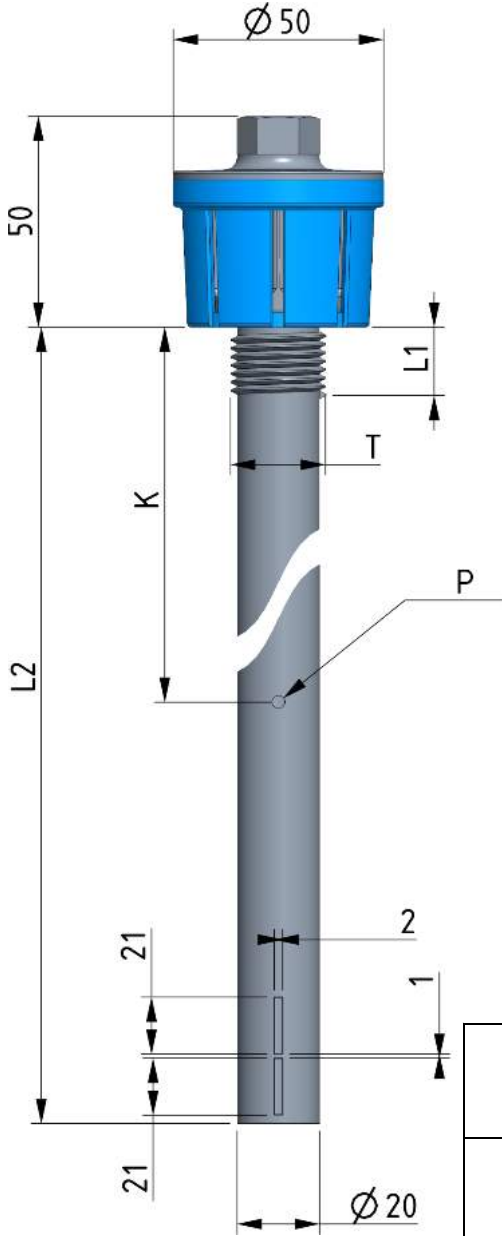
CYLINDRIC TYPE - S



Type	Slot Width (mm)	Slot No (pcs)	Total Slot Area (mm ²)
S	0,2	40	216
	0,25	40	270
	0,35	36	340
	0,5	36	486
	0,6	36	583
	1	36	972
	2	18	972

THREAD	THREAD SIZE (O.D.)	INNER DIAMETER	L1	L2
3/4" G	26,3 mm	16mm	20, 25, 30, +5, 100 mm	20, 25, 30, +5, 455 mm
1" G	33,2 mm	21mm	20, 25, 30, +5, 100 mm	20, 25, 30, +5, 455 mm
M24	24 mm	16 mm	20, 25, 30, +5, 100 mm	20, 25, 30, +5, 455 mm
M22 x 1,5	22 mm	16 mm	20, 25, 30, +5, 100 mm	20, 25, 30, +5, 455 mm
M30	30 mm	21 mm	20, 25, 30, +5, 100 mm	20, 25, 30, +5, 455 mm
15/16" WW	23,5 mm	16 mm	20, 25, 30, +5, 100 mm	20, 25, 30, +5, 455 mm
1" W	25,4 mm	16 mm	20, 25, 30, +5, 100 mm	20, 25, 30, +5, 455 mm
1 - 1/4" WW	31,75 mm	21 mm	20, 25, 30, +5, 100 mm	20, 25, 30, +5, 455 mm

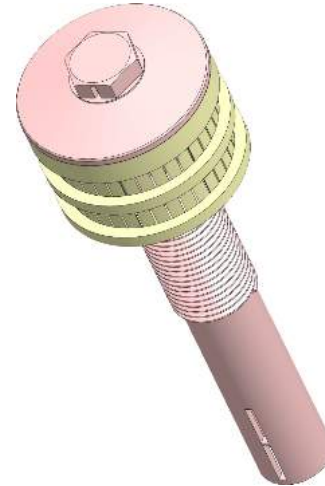
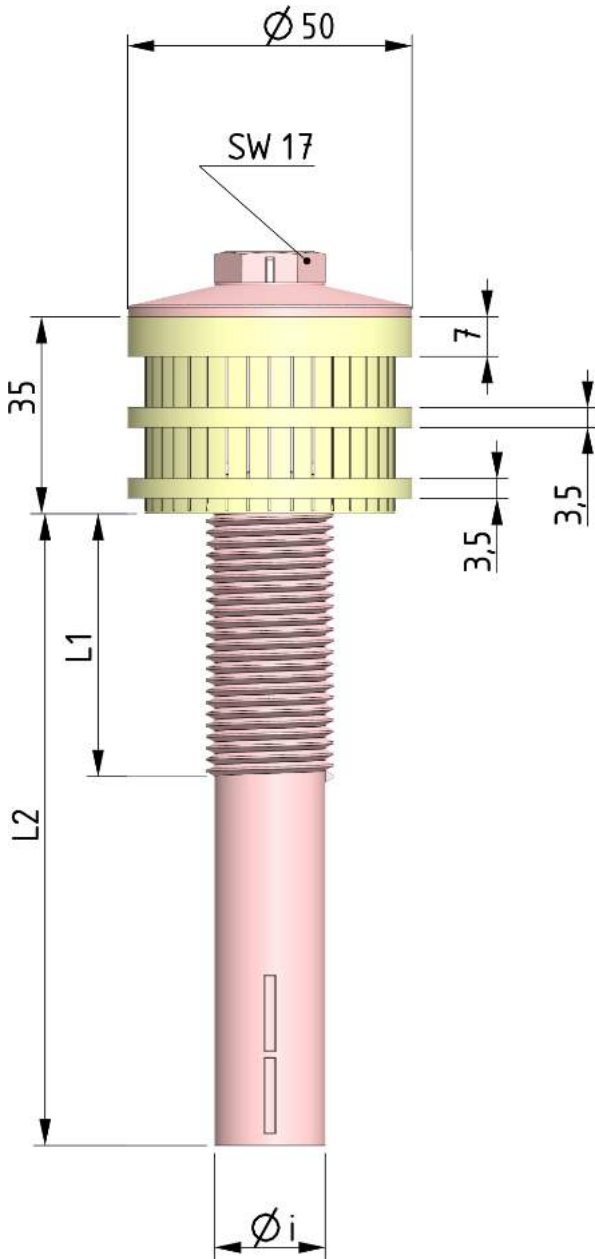
CYLINDRIC TYPE - F



Type	Slot Width (mm)	Slot No (pcs)	K (mm)	P (Ømm)	L1 (mm)	L2 (mm)
F	0,4	36	198	3,2	17,75	300
	2,5	8	230	3,8	17,75	330
	2,5	8	285	3,8	17,75	385

THREAD	THREAD SIZE (O.D.)	INNER DIAMETER	L1	L2
3/4" G	26,3 mm	16mm	20, 25, 30, +5, 100 mm	20, 25, 30, +5, 455 mm
1" G	33,2 mm	21mm	20, 25, 30, +5, 100 mm	20, 25, 30, +5, 455 mm
M24	24 mm	16 mm	20, 25, 30, +5, 100 mm	20, 25, 30, +5, 455 mm
M22 x 1,5	22 mm	16 mm	20, 25, 30, +5, 100 mm	20, 25, 30, +5, 455 mm
M30	30 mm	21 mm	20, 25, 30, +5, 100 mm	20, 25, 30, +5, 455 mm
15/16" WW	23,5 mm	16 mm	20, 25, 30, +5, 100 mm	20, 25, 30, +5, 455 mm
1" W	25,4 mm	16 mm	20, 25, 30, +5, 100 mm	20, 25, 30, +5, 455 mm
1 - 1/4" WW	31,75 mm	21 mm	20, 25, 30, +5, 100 mm	20, 25, 30, +5, 455 mm

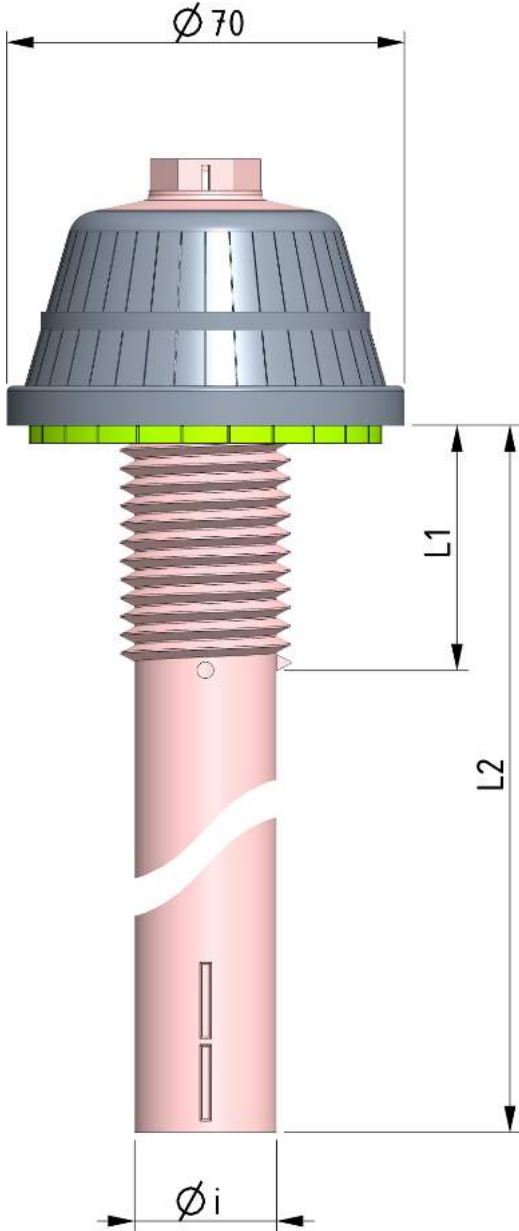
CYLINDRIC TYPE - H



Type	Slot Width (mm)	Slot No (pcs)	Total Slot Area (mm ²)
H	0,2	36	137
	0,3	36	205
	0,35	36	240
	0,4	36	274
	0,5	36	342
	0,8	36	546
	1	24	456
	2	20	700

THREAD	THREAD SIZE (O.D.)	INNER DIAMETER	L1	L2
3/4" G	26,3 mm	16mm	20, 25, 30, +5, 100 mm	20, 25, 30, +5, 455 mm
1" G	33,2 mm	21mm	20, 25, 30, +5, 100 mm	20, 25, 30, +5, 455 mm
M24	24 mm	16 mm	20, 25, 30, +5, 100 mm	20, 25, 30, +5, 455 mm
M22 x 1,5	22 mm	16 mm	20, 25, 30, +5, 100 mm	20, 25, 30, +5, 455 mm
M30	30 mm	21 mm	20, 25, 30, +5, 100 mm	20, 25, 30, +5, 455 mm
15/16" WW	23,5 mm	16 mm	20, 25, 30, +5, 100 mm	20, 25, 30, +5, 455 mm
1" W	25,4 mm	16 mm	20, 25, 30, +5, 100 mm	20, 25, 30, +5, 455 mm
1 - 1/4" WW	31,75 mm	21 mm	20, 25, 30, +5, 100 mm	20, 25, 30, +5, 455 mm

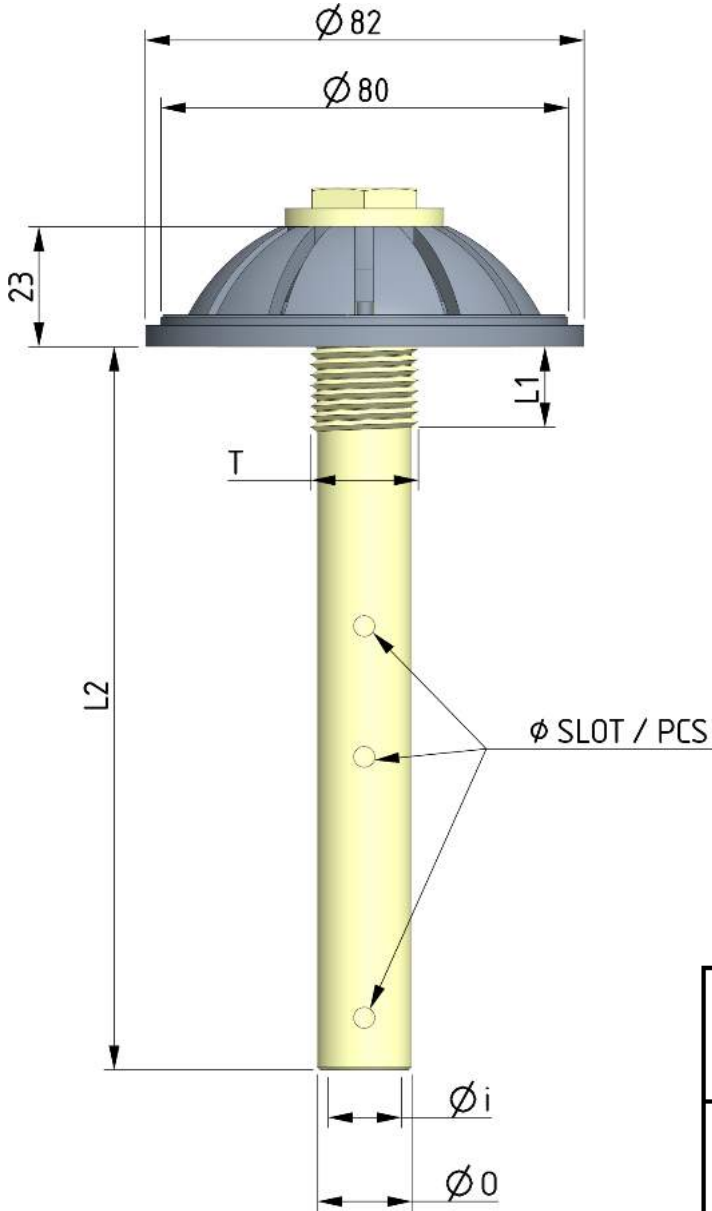
CONIC TYPE - M



Type	Slot Width (mm)	Slot No (pcs)	Total Slot Area (mm ²)
M	0,2	40	195
	0,25	40	205
	0,35	36	296
	0,5	36	423
	1	36	846
	2	24	950

THREAD	THREAD SIZE (O.D.)	INNER DIAMETER	L1	L2
3/4" G	26,3 mm	16mm	20, 25, 30, +5, 100 mm	20, 25, 30, +5, 455 mm
1" G	33,2 mm	21mm	20, 25, 30, +5, 100 mm	20, 25, 30, +5, 455 mm
M24	24 mm	16 mm	20, 25, 30, +5, 100 mm	20, 25, 30, +5, 455 mm
M22 x 1,5	22 mm	16 mm	20, 25, 30, +5, 100 mm	20, 25, 30, +5, 455 mm
M30	30 mm	21 mm	20, 25, 30, +5, 100 mm	20, 25, 30, +5, 455 mm
15/16" WW	23,5 mm	16 mm	20, 25, 30, +5, 100 mm	20, 25, 30, +5, 455 mm
1" W	25,4 mm	16 mm	20, 25, 30, +5, 100 mm	20, 25, 30, +5, 455 mm
1 - 1/4" WW	31,75 mm	21 mm	20, 25, 30, +5, 100 mm	20, 25, 30, +5, 455 mm

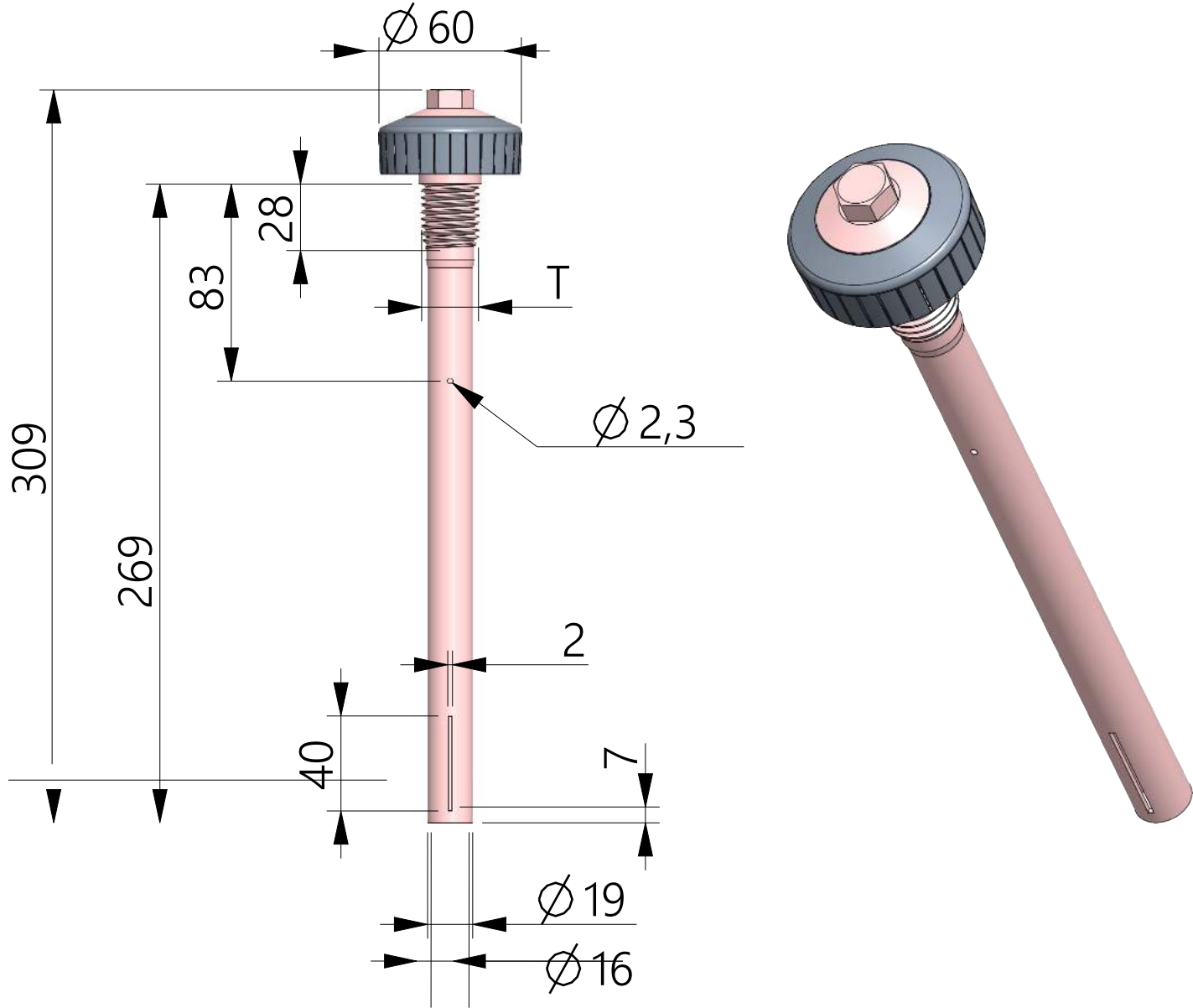
TYPE - HG



Type	Slot Width (mm)	Slot No (pcs)
HG	0,5	20
	2	12

THREAD	THREAD SIZE (O.D.)	INNER DIAMETER	L1	L2
3/4" G	26,3 mm	16mm	20, 25, 30, +5, 100 mm	20, 25, 30, +5, 455 mm
1" G	33,2 mm	21mm	20, 25, 30, +5, 100 mm	20, 25, 30, +5, 455 mm
M24	24 mm	16 mm	20, 25, 30, +5, 100 mm	20, 25, 30, +5, 455 mm
M22 x 1,5	22 mm	16 mm	20, 25, 30, +5, 100 mm	20, 25, 30, +5, 455 mm
M30	30 mm	21 mm	20, 25, 30, +5, 100 mm	20, 25, 30, +5, 455 mm
15/16" WW	23,5 mm	16 mm	20, 25, 30, +5, 100 mm	20, 25, 30, +5, 455 mm
1" W	25,4 mm	16 mm	20, 25, 30, +5, 100 mm	20, 25, 30, +5, 455 mm
1 - 1/4" WW	31,75 mm	21 mm	20, 25, 30, +5, 100 mm	20, 25, 30, +5, 455 mm

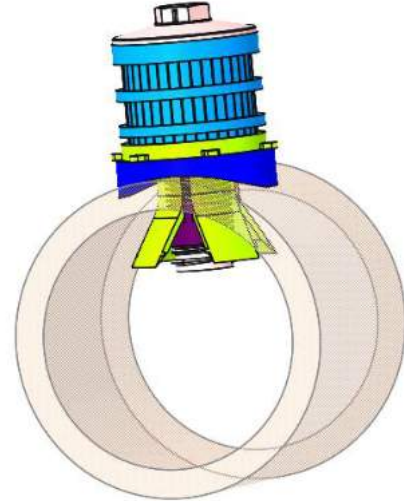
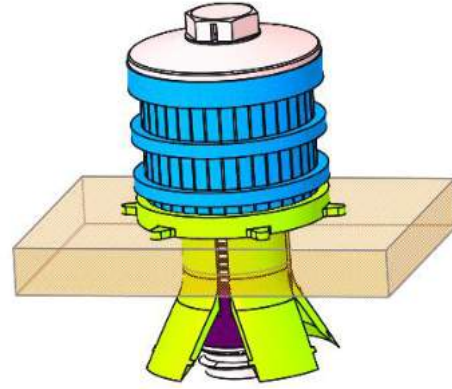
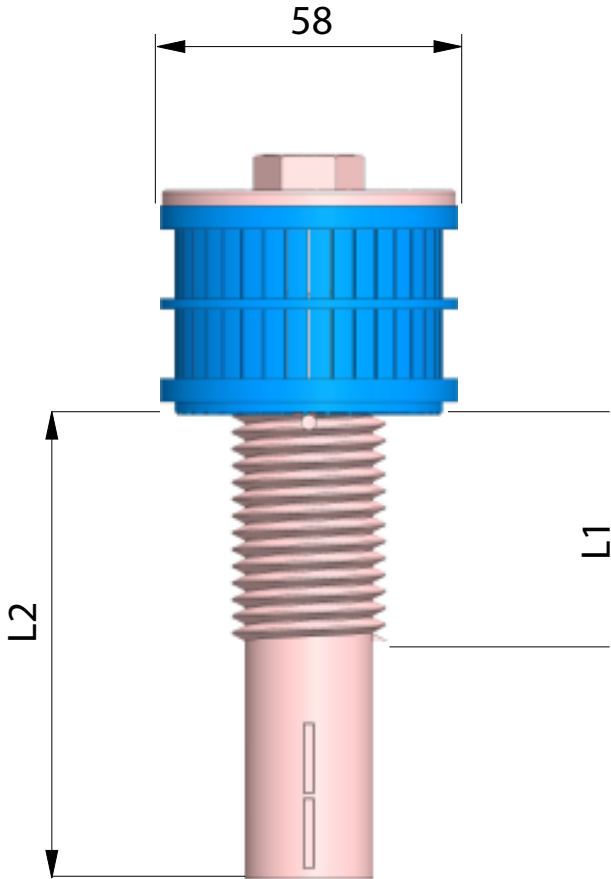
TYPE - BW



Type	Slot Width (mm)	Slot No (pcs)	Total Slot Area (mm ²)
BW	0,25	28	119

THREAD	THREAD SIZE (O.D.)	INNER DIAMETER	L1	L2
1" W	25,4 mm	16 mm	20, 25, 30, +5, 100 mm	20, 25, 30, +5, 455 mm

TYPE - AFN/S

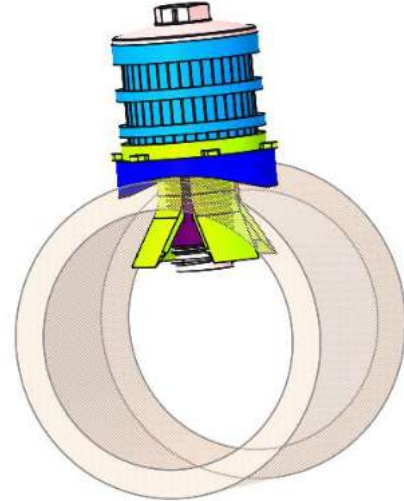
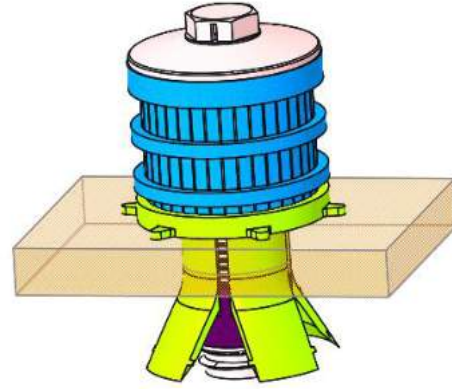
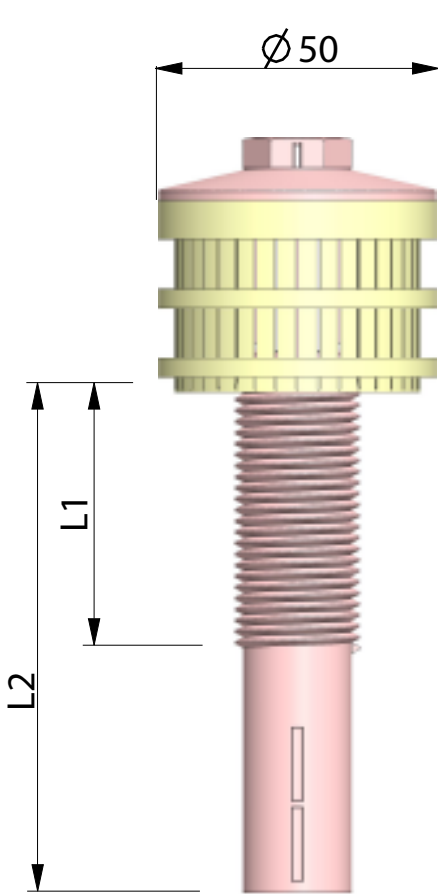


Pipe Diameter (mm)	Mounting hole diameter(mm)
75	Ø 28,0
90	
110	
114	
160	

Type	Slot Width (mm)	Slot No (pcs)	Total Slot Area (mm ²)
AFN/S	0,2	40	216
	0,25	40	270
	0,35	36	340
	0,5	36	486
	0,6	36	583
	1	36	972
	2	18	972

THREAD	THREAD SIZE (O.D.)	INNER DIAMETER	L1	L2
3/4" G	26,3 mm	16mm	20, 25, 30, +5, 100 mm	20, 25, 30, +5, 455 mm
1" G	33,2 mm	21mm	20, 25, 30, +5, 100 mm	20, 25, 30, +5, 455 mm
M24	24 mm	16 mm	20, 25, 30, +5, 100 mm	20, 25, 30, +5, 455 mm
M22 x 1,5	22 mm	16 mm	20, 25, 30, +5, 100 mm	20, 25, 30, +5, 455 mm
M30	30 mm	21 mm	20, 25, 30, +5, 100 mm	20, 25, 30, +5, 455 mm
15/16" WW	23,5 mm	16 mm	20, 25, 30, +5, 100 mm	20, 25, 30, +5, 455 mm
1" W	25,4 mm	16 mm	20, 25, 30, +5, 100 mm	20, 25, 30, +5, 455 mm
1 - 1/4" WW	31,75 mm	21 mm	20, 25, 30, +5, 100 mm	20, 25, 30, +5, 455 mm

TYPE - AFN/H

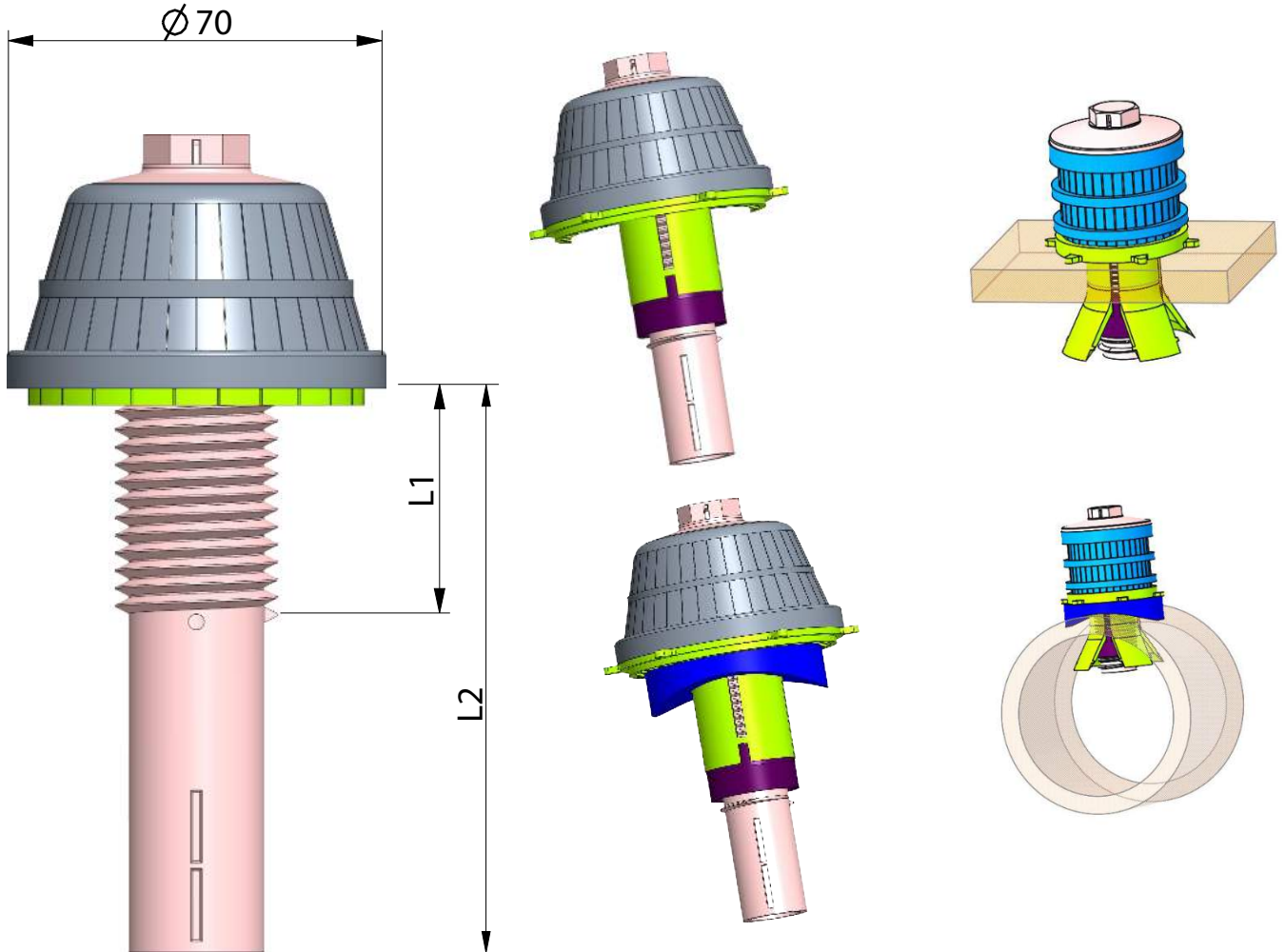


Pipe Diameter (mm)	Mounting hole diameter(mm)
75	Ø 28,0
90	
110	
114	
160	

Type	Slot Width (mm)	Slot No (pcs)	Total Slot Area (mm ²)
AFN/H	0,2	36	137
	0,3	36	205
	0,35	36	240
	0,4	36	274
	0,5	36	342
	0,8	36	546
	1	24	456
	2	20	700

THREAD	THREAD SIZE (O.D.)	INNER DIAMETER	L1	L2
3/4" G	26,3 mm	16mm	20, 25, 30, +5, 100 mm	20, 25, 30, +5, 455 mm
1" G	33,2 mm	21mm	20, 25, 30, +5, 100 mm	20, 25, 30, +5, 455 mm
M24	24 mm	16 mm	20, 25, 30, +5, 100 mm	20, 25, 30, +5, 455 mm
M22 x 1,5	22 mm	16 mm	20, 25, 30, +5, 100 mm	20, 25, 30, +5, 455 mm
M30	30 mm	21 mm	20, 25, 30, +5, 100 mm	20, 25, 30, +5, 455 mm
15/16" WW	23,5 mm	16 mm	20, 25, 30, +5, 100 mm	20, 25, 30, +5, 455 mm
1" W	25,4 mm	16 mm	20, 25, 30, +5, 100 mm	20, 25, 30, +5, 455 mm
1 - 1/4" WW	31,75 mm	21 mm	20, 25, 30, +5, 100 mm	20, 25, 30, +5, 455 mm

TYPE - AFN/M

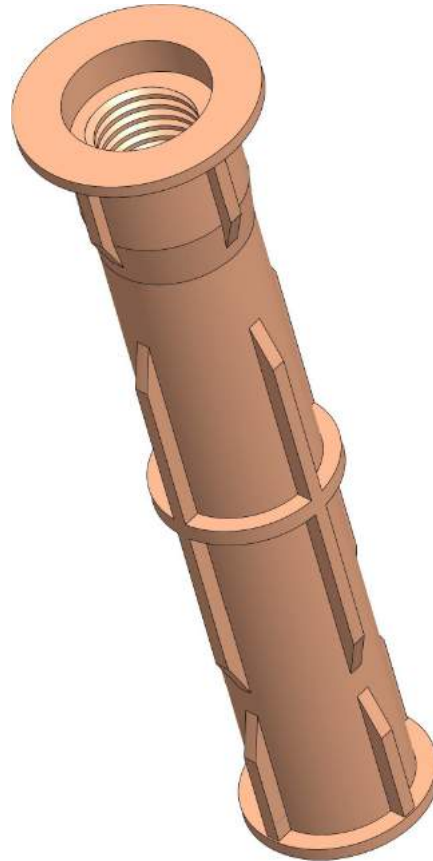
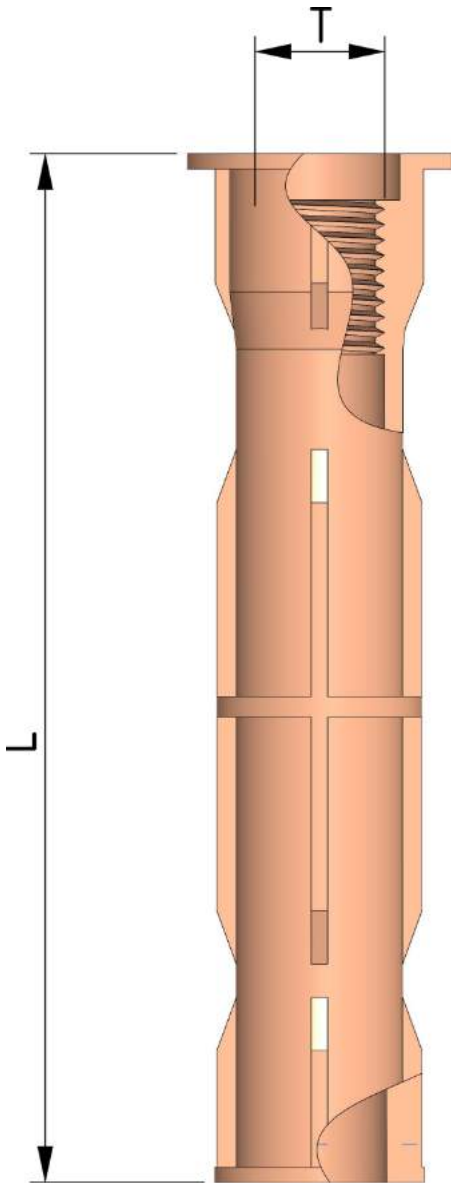


Pipe Diameter (mm)	Mounting hole diameter(mm)
75	Ø 28,0
90	
110	
114	
160	

Type	Slot Width (mm)	Slot No (pcs)	Total Slot Area (mm ²)
AFN/M	0,2	40	195
	0,25	40	205
	0,35	36	296
	0,5	36	423
	1	36	846
	2	24	950

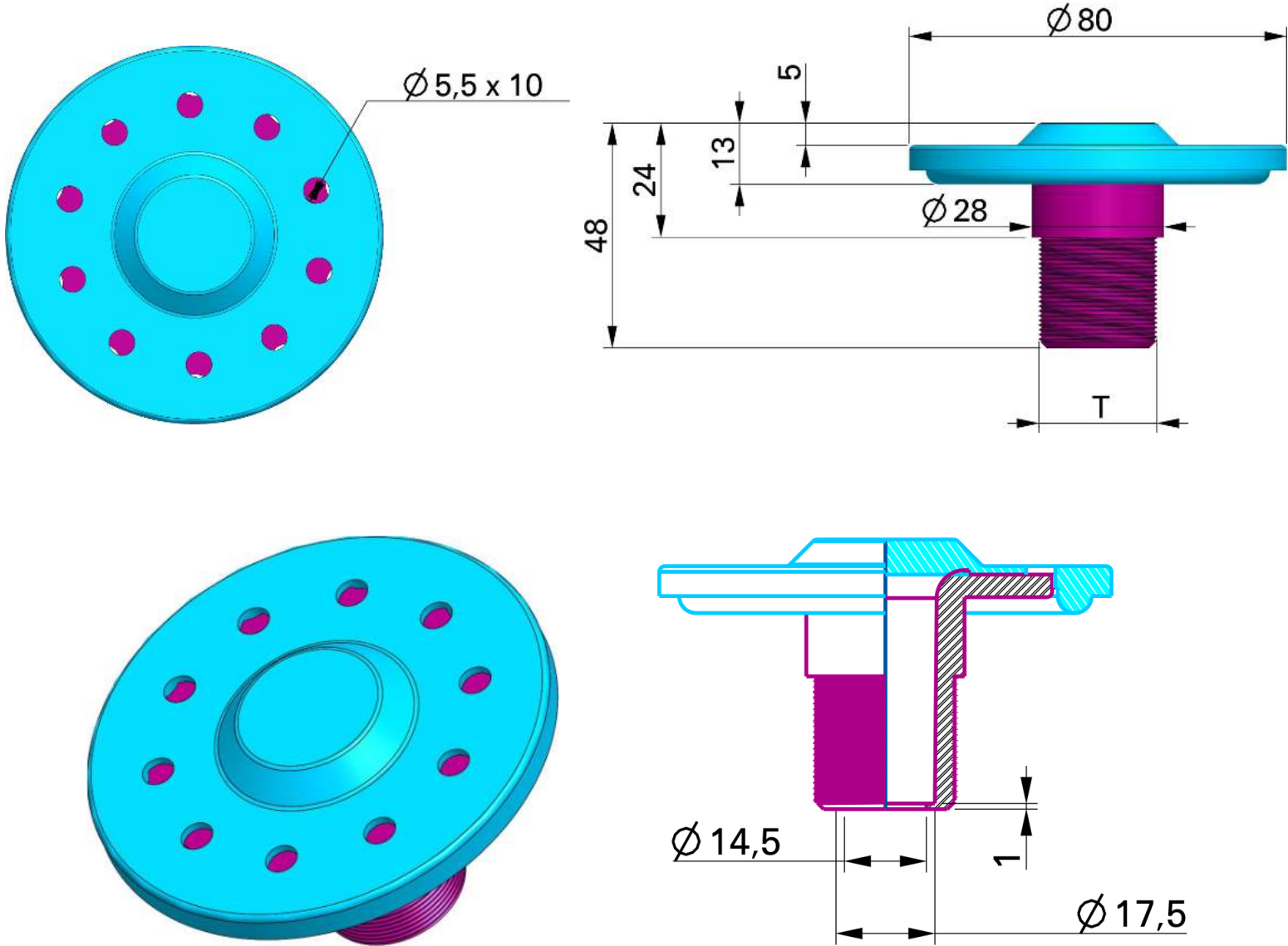
THREAD	THREAD SIZE (O.D.)	INNER DIAMETER	L1	L2
3/4" G	26,3 mm	16mm	20, 25, 30, +5, 100 mm	20, 25, 30, +5, 455 mm
1" G	33,2 mm	21mm	20, 25, 30, +5, 100 mm	20, 25, 30, +5, 455 mm
M24	24 mm	16 mm	20, 25, 30, +5, 100 mm	20, 25, 30, +5, 455 mm
M22 x 1,5	22 mm	16 mm	20, 25, 30, +5, 100 mm	20, 25, 30, +5, 455 mm
M30	30 mm	21 mm	20, 25, 30, +5, 100 mm	20, 25, 30, +5, 455 mm
15/16" WW	23,5 mm	16 mm	20, 25, 30, +5, 100 mm	20, 25, 30, +5, 455 mm
1" W	25,4 mm	16 mm	20, 25, 30, +5, 100 mm	20, 25, 30, +5, 455 mm
1 - 1/4" WW	31,75 mm	21 mm	20, 25, 30, +5, 100 mm	20, 25, 30, +5, 455 mm

FILTER NOZZLE SLEEVE - BK



Type	THREAD	L1
BK	3/4" G	60, +10, +10, 350,400 mm
	1" G	
	M24	
	M22 x 1,5	
	M30	
	15/16" WW	
	1" W	
	1 - 1/4" WW	

COARSE BUBBLE DISC DIFFUSER

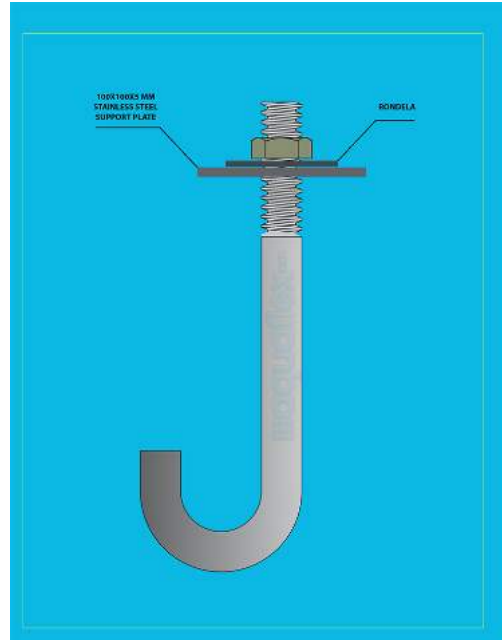
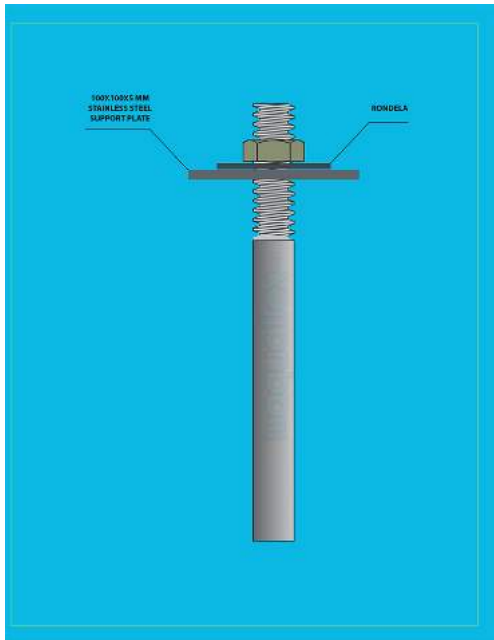
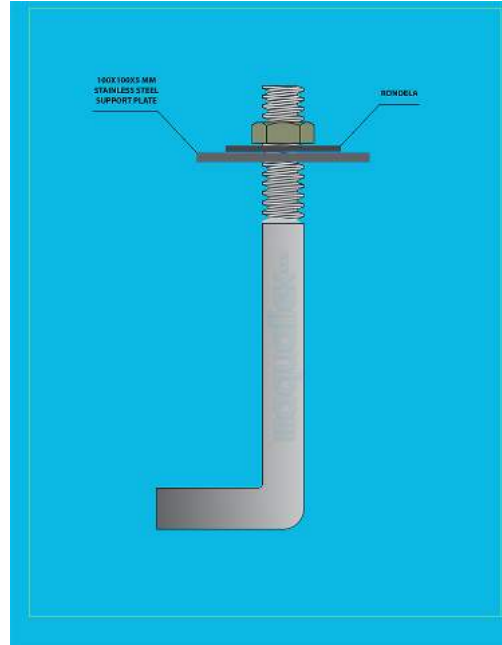
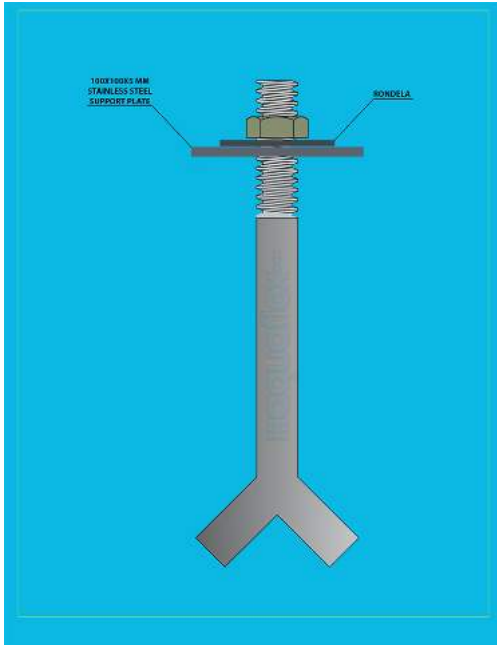


Type of Product	Total Height (mm)	Effective Area / Total Diameter (mm)	Perforated Area (m ²)	Capacity (Nm ³ /h)	Material of Membrane	Total Weight (kg)	Outlet
CBDD80-3"	46	60/80	0,02	2-25	EPDM - PTFE	0,4	3/4" Male

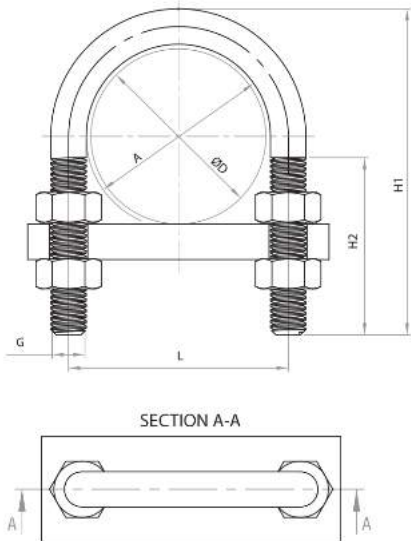
ANCHORS

SIZE		ANCHOR LENGTH	MATERIAL QUALITY	ANCHOR TYPE
Metric	Inc			
M5 - M52	1/4" - 2"	250mm + 5mm	8.8 12.9 AISI 304 (EN 1.4301) AISI 316 (EN 1.4401) AISI 316 L (EN 1.4404)	Y Type (DIN 34828 Thread Diameter) J Type (DIN 34828 Thread Diameter) I Type (DIN 34828 Thread Diameter) L Type (DIN 34828 Thread Diameter)

Please contact for the desired size and type of products.

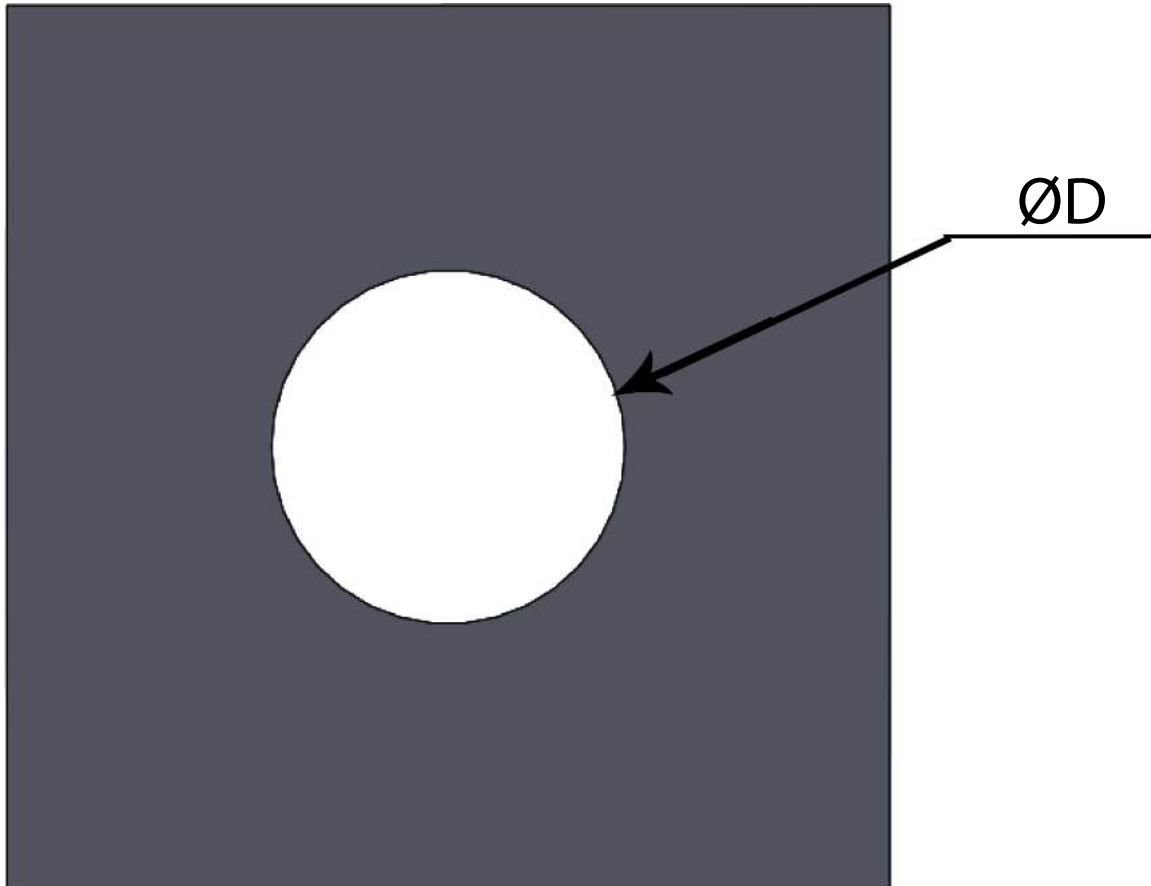


U-BOLT



DN	O.D. of Pipe / Tube/Hose mm	Nominal Bore Pipe inch	A	H1	H2	L	G
20	25	-	30	70	40	40	M10
	26.9	3/4					
25	30	-	38	76	50	48	
	33.7	1					
32	38	-	46	86	60	56	
	42.4	1 1/4					
40	44.5	-	52	92	70	62	
	48.3	1 1/2					
50	57	-	64	109	80	76	
	60.3	2					
65	76.1	2 1/2	82	125	90	94	
	88.9	3					
80	88.9	3	94	138	100	106	
	108	-					
100	114.3	4	120	171	110	136	
	133	-					
125	139.7	5	148	191	120	164	
	159	-					
150	168.3	6	176	217	130	192	
	191	-					
175	193.7	-	202	249	140	218	
	216	-					
200	219.1	8	228	283	150	248	
	267	-					
250	273	10	282	334	160	302	
	318	-					
300	323.9	12	332	385	170	352	
	355.6	-					
350	368	-	378	435	180	402	
	406.4	16					
400	419	-	428	487	190	452	
	508	-					
500	521	-	530	589	200	554	

PLATE



Material Quality

AISI304

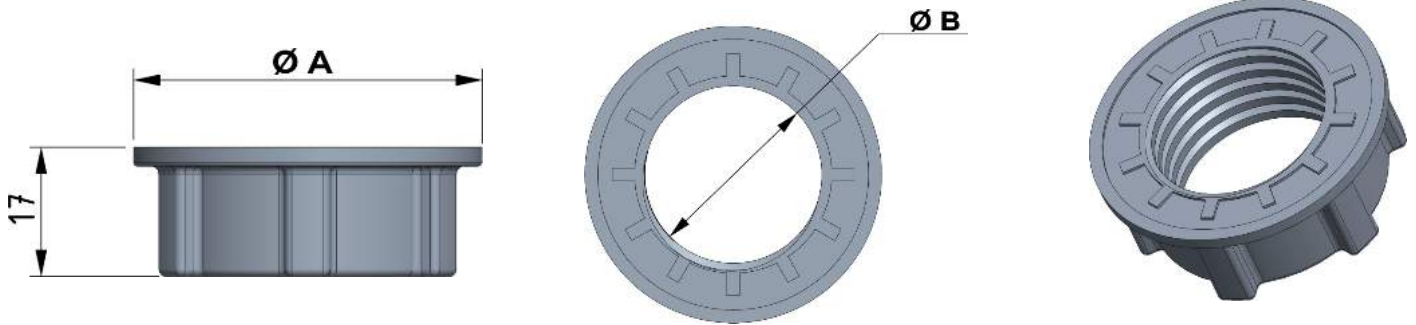
AISI304 L

AISI316

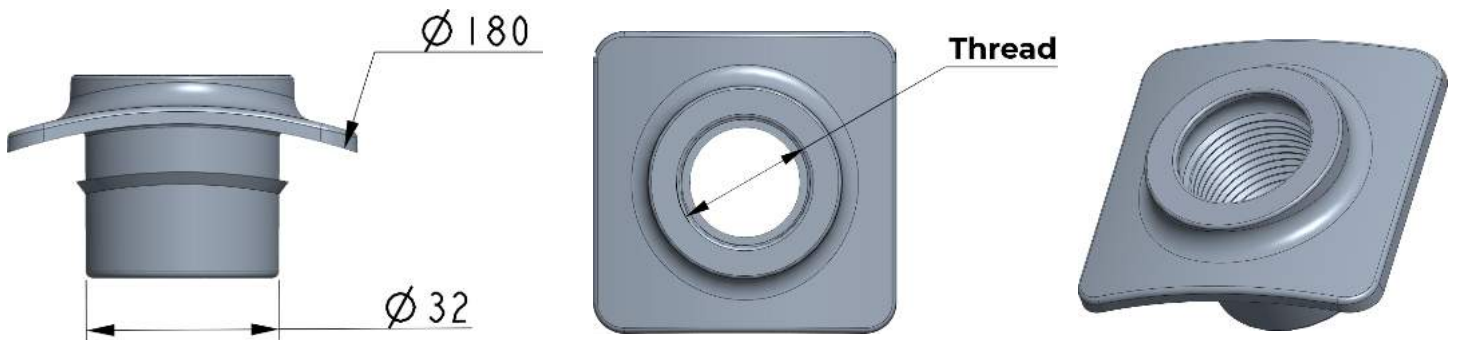
AISI316 L

*** It is produced in desired dimensions.

CONNECTION ACCESSORIES

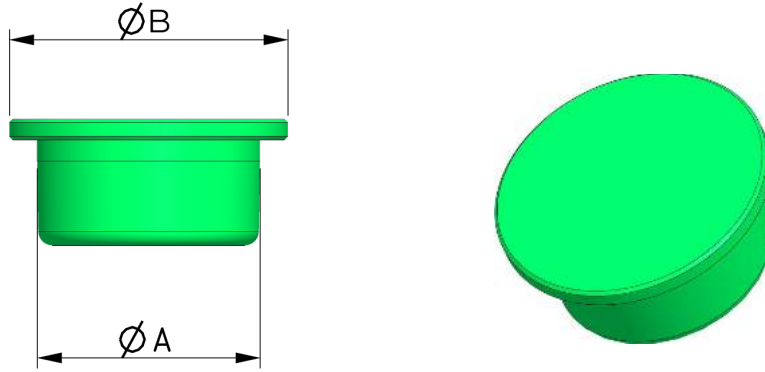


Type	Thread (ØB)	ØA	Height (mm)
SO	15/16" W	45 60 85	17
	M20		
	M22		
	M24		
	1" W		
	1 1/4" W		
	3/4" G		

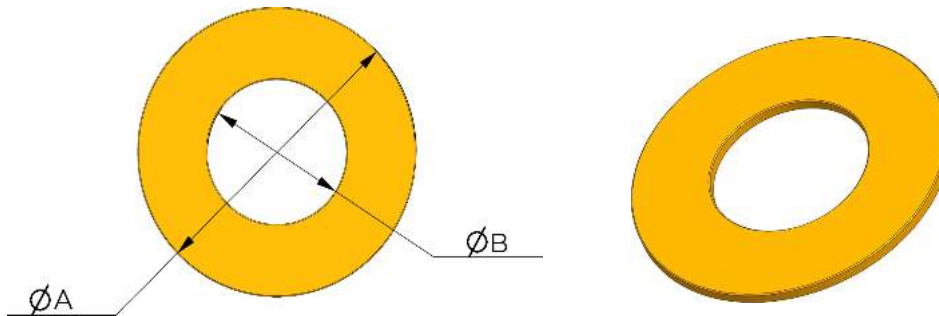


Type	Pipe thickness	Thread	Material
GRO	3	15/16" W 3/4" G	EPDM PVC
	6		
	13		
	14		

CONNECTION ACCESSORIES

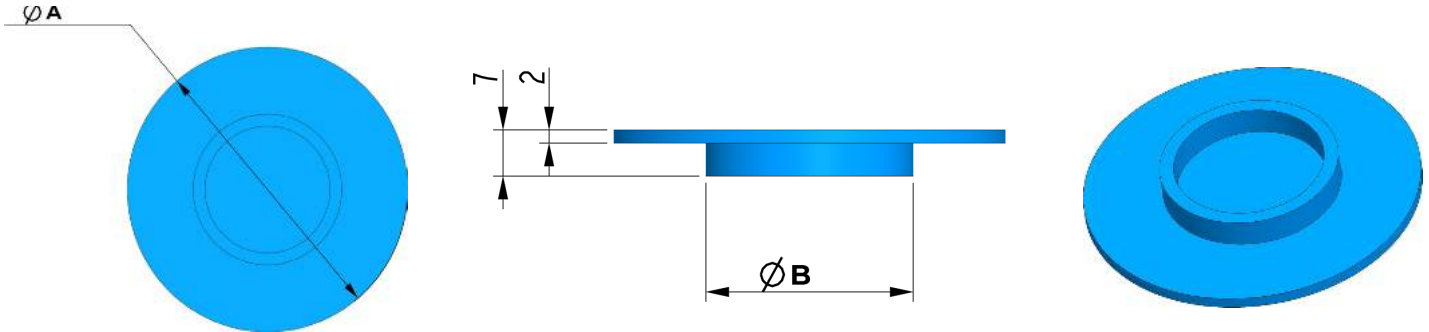


Type	ØA	ØB
PROTECTION COVER - KS	26	40
		54
		60
		70

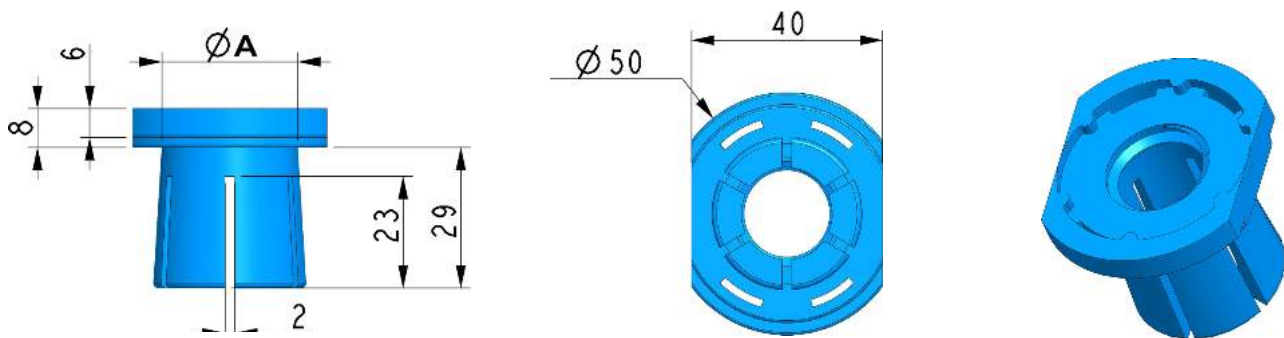


Type	ØA	ØB	Thickness (mm)
GASGET	50	21	2
		22	3
		25	2 - 5
		26	2 - 3
		28	2 - 3
		30	2 - 7
		32	1 - 2 - 3 - 7
	70	21	2
		25	2
		28	2 - 7
		30	2 - 7
		32	2 - 7

CONNECTION ACCESSORIES

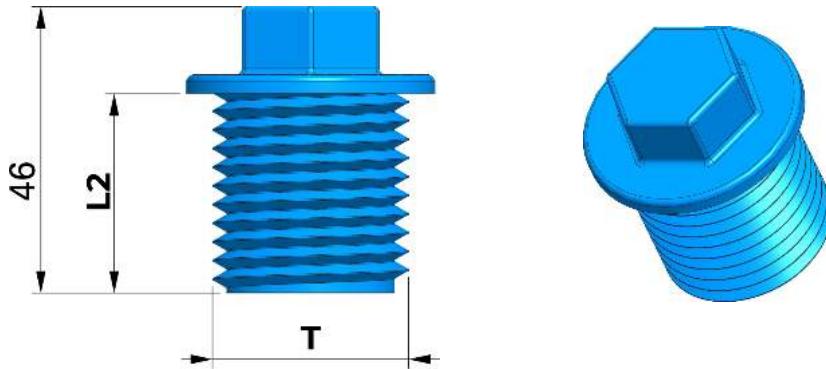


Type	ØA	ØB	Thickness (mm)	Thread
FIXING CAPS	60 70	26	2	15/16"W 1"W M24 7/8"W 1/2"G
	60 70	32	2	3/4"G 1.1/4"W



Type	ØA	Plate Thickness (mm)	Thread
EXPB	28	5	15/16"W M24
		10	
		15	
		20	
		25	

CONNECTION ACCESSORIES



Type	Thread (\varnothing T)	L2
BLIND PLUG - DKT	15/16"W	25,30,32,35,55
	M24	
	1/2"G	
	1" W	
	1 1/4" W	
	3/4" G	